

TABLE OF CONTENTS

SERIES 700 WARRANTY	1
FREIGHT CLAIMS	2
SERIES 700 SPECIFICATIONS	3
DOOR LEAF DETAILS - CORE & PREPS	14
DOOR LEAF DETAILS - HARDWARE LOCATIONS.....	15
STANDARD DOOR FRAME DETAILS WITH FLUSH SUBFRAME	16
STANDARD DOOR FRAME DETAILS WITH OFFSET SUBFRAME	17
STANDARD DOOR SUBFRAME DETAILS.....	18
DEFAULT SUBFRAME ATTACHMENT DETAILS	19
LATCHGUARD DETAILS.....	20
STANDARD-DUTY CLOSER	21
MODERATE-DUTY CLOSER.....	22
HEAVY-DUTY CLOSER	23
CRASH CHAIN DETAILS	24
STANDARD LOCK DETAILS.....	25
STANDARD EXIT DEVICE W/ LEVER DETAILS	27
FORMATTED, INTERCHANGEABLE CORE (S.F.I.C.) INFORMATION	31
MORTISE LEVER LOCK DETAILS	32
HINGE DETAILS	33
STANDARD FULL-SURFACE CONTINUOUS HINGE	34
STANDARD U-SWEEP	35
PERIMETER WEATHERSTRIPPING.....	36
STANDARD A.D.A COMPLIANT THRESHOLD	37
KICK PLATE DETAILS	38
DOUBLE DOOR DETAILS	39

EXPI-DOOR® Systems Inc.

MEMBER OF THE BAY FAMILY OF COMPANIES

SERIES 700 WARRANTY

The Series 700 door system by EXPI-DOOR® Systems Inc. carries a **ten year warranty** for defective product or workmanship on door leaf and frame, provided it is not a result of negligence, caused by damage while in transit, improper installation, or other damage caused by second parties, The ten years will commence from the date of original shipment from EXPI-DOOR®. Defective or damaged products must be returned to EXPI-DOOR® to receive credit or replacement unless otherwise instructed. If a product is not returned as required, no credit or replacement will be issued, except when special instructions are given for disposition of defective products or material.

See the following Tech Data pages for individual warranty information for each specific hardware item.

When returning product, documentation is required to identify the returned product with customer name, order number, or our invoice number, etc. A copy of the original packing slip is the best document to send. No credit or replacement can be issued if proper documentation cannot be completed.

EXPI-DOOR® will issue an invoice for the price of the replacement component or will replace the component at no charge, depending upon the agreement between EXPI-DOOR® and the purchaser of the product. It is imperative that an EXPI-DOOR® representative and the purchaser together agree on the best course of action before this determination has been made. Do not replace the product with another from a different provider as this may cause the warranty to not be applicable.

Steps to take in the event of a Warranty claim:

1. Contact EXPI-DOOR®. Provide a brief description of the problem and documentation of product purchase available.
2. Agree on a course of action with the EXPI-DOOR® representative – either product replacement or credit
3. Return defective product to EXPI-DOOR® per EXPI-DOOR's instructions.
4. After receiving the product and undergoing a thorough review to confirm defect, EXPI-DOOR® will issue credit.
5. In the event that a replacement product is required prior to being able to return the defective product, EXPI-DOOR® will send out a replacement and bill the customer. Once the old product has been confirmed defective, EXPI-DOOR® will credit the full amount for the new replacement product.
6. In the event the product is not considered defective, customer will be contacted and a course of remedy will be agreed upon.

FREIGHT CLAIMS

1. Freight claims are not considered a part of the warranty process.
 - a. Once product leaves the EXPI-DOOR® Systems Inc. dock, it becomes the freight carrier's and receiver's responsibility.
 - b. When the receiver signs the delivery receipt from the driver, the material then becomes the receiver's responsibility.
2. Examine freight before driver leaves and note ANY damage on delivery receipt no matter how small.
 - a. If there is damage noted please contact EXPI-DOOR® Systems Inc. right away at 920-393-4028. We will work at getting you what you need ASAP.
 - b. If damage is extensive please refuse freight due to damage, contact EXPI-DOOR® Systems Inc. ASAP, and replacements will be worked on ASAP.
3. If damages or shortages are noticed any point after the driver departs from the delivery point, the receiver is then solely responsible for replacements.
 - a. If you notice damage after the diver has left, you have five days to reach out to EXPI-DOOR® Systems Inc. with pictures to get a hidden freight claim filed.
 - b. The receiver will be responsible for the cost of the replacement, but EXPI-DOOR® Systems Inc. will file a hidden freight claim and will credit that chargeable PO if the carrier honors the hidden freight claim.

We understand how damage can affect your jobs progress and EXPI-DOOR® Systems Inc. will do everything in its power to deliver new or replacement product ASAP, but will need the receiver's help to follow the above outline when freight comes in to their job site to allow it to go more smoothly.

SERIES 700 SPECIFICATIONS

A. INTRODUCTION:

- A.1.0 The following information pertains to EXPI-DOOR's current Series 700 Door offering. We will discuss the specifics of preassembled door systems, as well as knock-down door systems. We will also discuss all hardware components of each system, as well as the creation or grouping of these items.
- A.1.01 All door systems provided by EXPI-DOOR are considered as "medium to heavy-duty commercial" type.
- A.1.02 Our Series 700 offering is a "spec-driven" product line and should also be considered simply for high-use / high-traffic environments. It should be noted that this product line is superior to our competitor's standard offering of door systems.

B. SUBMITTALS:

- B.1.0 For standard orders, where no special, non-stock conditions exist, our clients are encouraged to use the product data included here-in and in the following pages. This includes door and frame gauges, hardware grades, designs and finishes, and any other associated components that apply to the final design and assembly of the product.
- B.1.01 For non-standard orders, and where EXPI-DOOR provided a "specialized product" type quote for non-stock materials, it is required that our client contact the person responsible for that quotation and request a detailed submittal. This will be done at no cost to our client.
- B1.02 Submittals must be approved by a signature from the architect or end-user prior to ordering from EXPI-DOOR. EXPI-DOOR reserves the right to hold any order until the submittal is positively approved by the appropriate entity.

C. QUALITY ASSURANCE

- C.1.01 EXPI-DOOR products pass through a minimum of three stations. First is a preparation and fabrication station. The second is the assembly station. The third is the final examination and packaging station. After installation of hardware items, each is tested to ensure proper alignment and function. Upon completion, product is inspected by a third-party for final approval.

D. PRODUCTS and COMPONENTS

- D.1.01 Hinges – All hinges are ANSI 156.1.

A. Ives 5BB1 4.5" x 4.5" NRP 652 (satin chrome plated): standard option.

1. Made with two ball bearing assemblies. Non-removable pin.
2. Certified to ANSI/BHMA A156.1 for performance standards.
3. Meets ANSI/BHMA 156.7 for template hinge dimensions.
4. Steel with steel pin ANSI A8112.
5. UL Classified for windstorm-rated assemblies - R37965.
6. UL Listed, 3 hour fire doors.

B. Hager ECBB1101 4.5" x 4.5" NRP US32D (stainless steel): optional.

1. Made with two ball bearing assemblies. Non-removable pin with button tip and plug.
2. Stainless steel with stainless steel pin ANSI A5112.
3. Complies with NFPA80.

C. Hager BB1191 4.5" X4.5" NRP 26D (satin chrome plated): optional.

1. Made with two ball bearing assemblies. Non-removable pin with button tip and plug.
2. Brass with stainless steel pin ANSI A2112.

- D. Hager BB1199 4.5" X 4.5" NRP US32D heavy weight hinge (stainless steel): optional.
 - 1. Made with four ball bearing assemblies. Non-removable pin with button tip and plug.
 - 2. Stainless steel with stainless steel pin ANSI A5111.
 - 3. Complies with NFPA80.
 - E. Hager continuous hinge 83" 780-157FFUL-83" (Aluminum 6063-T6): 4070 standard option.
 - 1. Option: UL listed, 1-1/2 hr. metal doors.
 - 2. Option: UL listed, 3hr. metal doors. Stainless steel studs (4) required. (Extended lead time).
- D.1.02 Cylindrical lockset. Order keyed alike unless specified. Master keying available option. ADA compliant.
- A. Schlage GR2 ALXPD Rhodes 626, 6-pin C keyway.
 - 1. 6-pin conventional "C" keyway (standard).
 - 2. Small format interchangeable core (S.F.I.C. Optional).
 - 3. Function Options: ALX53PD Entry - ANSI F109 (Standard), ALX80PD - Storeroom ANSI F86, (lead time), ALX70PD - Classroom ANSI F84, (lead time), ALX10S- Passage ANSI F75, (lead time), ALX40 - Privacy - ANSI F76, (lead time).
 - 4. ANSI/BHMA: Certified A156.2-2011, Series 4000, Grade 2, UL Listed for 3-hour fire door.
 - 5. ICC: Meets A117.1 accessibility code.
 - 6. UL/cUL: Listed for 3-hour fire door, A label.
 - 7. CA Fire Code: All levers with a return to door of 1/2" (64 mm) or less comply.
 - 8. FL Building: Complies with Florida Building Code TAS 201, 202, 203 wind and impact zone.
 - 9. Code: (HVHZ) and ANSI-ASTM E330 (wind only).
 - 10. Federal: Meets FF-H-106C; BAA compliant, all functions.
 - B. Schlage GR1 ND Rhodes 626, 6-pin C keyway.
 - 1. 6-pin conventional "C" keyway (standard).
 - 2. Small format interchangeable core (S.F.I.C. Optional).
 - 3. Function Options: ND53PD Entry - ANSI F109 (Standard), ND80PD - Storeroom ANSI F86, (lead time), ND70PD - Classroom ANSI F84, (lead time), ND10S - Passage ANSI F75, (lead time), ND40S - Privacy - ANSI F76, (lead time).
 - 4. ANSI/BHMA: Meets or exceeds A156.2 Series 4000, Grade 1 strength and operational requirements.
 - 5. ICC: Meets A117.1 accessibility code.
 - 6. UL/cUL: Listed for 3-hour fire door, A label.
 - 7. CA Fire Code: All levers with a return to door of 1/2" (64 mm) or less comply.
 - 8. FL Building: Complies with Florida Building Code TAS 201, 202, 203 wind and impact zone.
 - 9. Code: (HVHZ) and ANSI-ASTM E330 (wind only).
 - 10. Federal: Meets FF-H-106C; BAA compliant, all functions.

D.1.03 Mortise locks. Order keyed alike unless specified. Master keying available option. ADA compliant.

- A. Schlage GR1 L9453P 06N 626 C keyway, 6-Pin Mortise C keyway,
1. 6-pin conventional "C" keyway (standard).
 2. Small format interchangeable core (S.F.I.C. Optional).
 3. Function Options: L9453 Entry-ANSI: F20 (Standard), L9080 Storeroom ANSI: F07, (4 week lead time), L9070- Classroom ANSI F05, (4 week lead time).
 4. ANSI/BHMA
 - a. L/LV9000: ANSI/BHMA A156.13-2017 Series 1000, Grade 1 operation and security
 5. ICC: Complies with ICC A117.1 Accessible and Usable Buildings and Facilities.
 6. UL/cUL.
 - a. Mechanical: UL 10C and CAN/ULC-S104 3 hour fire listed; all locks listed for A label single doors, 4' x 10' and pairs 8' x 10'.
 - b. Electrified: UL/ULC listed for single-point locking applications; UL listed for 3-hour fire door (except L9076 and L9077).
 7. CA Fire Code: All levers with a return to door of 1/2" (64 mm) or less comply.
 8. FL Building Code: Miami-Dade NOA's and Florida Building Commission listings.
 9. Federal: BAA compliant, all function.

D.1.04 Rim exit devices (ANSI TYPE 1 - panic bars).

- A. Von Duprin GR1 22Lx230L SP28 Rim Exit Device
1. ANSI A156.3, Grade 1: Exit devices for all types of single doors and double doors with and without mullion. Von Duprin 154 Mullion Stabilizer (SP28 finish) included. UL listed exit device is hardware option. Hex key dogging standard for non-fire rated doors. Order keyed alike unless specified. Master keying available option. ADA compliant.
 2. Function: 08 - Escutcheon trim with mortise cylinder entrance by trim standard. (Optional E.O. exit only).
 3. Exterior trims have Schlage Cylinders 6-pin "C" keyway keyed alike (standard).
- B. Falcon 25-Rx510L 26D Rim Exit Device: Meets the demanding requirements of high traffic installations with a single-point, rim type latch, streamlined touch bar design. Order keyed alike unless specified. Master keying available option. ADA compliant.
1. ANSI A156.3, Grade 1: Exit devices for all types of single doors and double doors with and without mullion. Von Duprin 154 Mullion Stabilizer (SP28 finish) included. UL listed exit device is hardware option. Hex key dogging standard for non-fire rated doors.
 2. Function: 08 - Escutcheon trim with mortise cylinder entrance by trim standard. (Optional E.O. = Exit Only).
 3. Exterior trims have Schlage Cylinders 6-pin "C" keyway keyed alike (standard).
- C. Von Duprin 99Lx996L 626 Rim Exit Device: 99 Series devices are heavy-duty push bar pads. Has a grooved mechanism case. Exterior 996 escutcheon 06 lever trim. Hex key dogging standard for non-fire rated doors. Order keyed alike unless specified. Master keying available option. ADA compliant.
1. ANSI A156.3, Grade 1: Exit devices for all types of single doors and double doors with and without mullion. Von Duprin 154 mullion stabilizer (SP28 finish) included. UL listed exit device is hardware option. Hex key dogging standard for non-fire rated doors.
 2. Function: 08 - Escutcheon trim with rim cylinder entrance by trim standard. (Optional E.O. = Exit Only).
 3. Exterior trims have Schlage Cylinders 6-pin "C" keyway keyed alike (standard).

D.1.05 Mortise Exit Devices (ANSI TYPE 3 - panic bars)

- A. Falcon 25Mx510L 26D Mortise exit device: Only device that pairs a tough, reliable exit device with our strongest mortise lock. The result is maximum safety and security in a single-point, mortise latch type device that also has an attractive touch bar design. Order keyed alike unless specified. Master keying available option. ADA compliant.
1. ANSI A156.3, Grade 1: Exit devices for all types of single doors and double doors without mullion. UL listed exit device is hardware option. Hex key dogging standard for non-fire rated doors.
 2. Function: 08 - Escutcheon trim with mortise cylinder entrance by trim standard. (Optional E.O. = Exit Only).
 3. Exterior trims have Schlage Cylinders 6-pin "C" keyway keyed alike (standard).

D.1.06 Closers – surface-mounted – ANSI A156.4 – Grade 1. All LCN closers are standard as ADA-compliant with less than 5 lbs. of opening force. LCN closers are available with hold-open as an option. All LCN closers are single piece cast iron cylinder assemblies.

A. LCN 1261.

1. Light- to medium-duty cast iron closer designed to fit into the most common commercial foot print.
2. Adjustable spring size 1-5.
3. 5/8" diameter single heat treated pinion journal.
4. 1-3/8" diameter piston.
5. UL10C and BAA.

B. LCN 1461.

1. Medium- to heavy-duty cast iron closer designed for maximum versatility in commercial and some heavy industrial applications.
2. Adjustable spring size 1-6 includes patented Green Dial for safe and effective power adjustment.
3. Comes with standard slim line snap on plastic cover.
4. 5/8" diameter single heat treated pinion journal.
5. 1-1/4" diameter piston.
6. UL10C and BAA.

C. LCN 4040XP.

1. Extra heavy-duty cast iron closer designed for institutional and other demanding high traffic applications. LCN's most durable and flexible product.
2. Adjustable spring size 1-6 includes patented Green Dial for safe and effective power adjustment.
3. Comes with standard full size snap on plastic cover with patent-pending retention screw.
4. 11/16" diameter double heat-treated steel pinion journal for greater wear-resistance.
5. 1-1/2" diameter heat-treated piston for extra hardness and strength.
6. UL10C and BAA.

D.1.07 Keyways / Cylinders

- A. Standard: round, 6-pin type – when two or more doors are present per order, keyways shall be keyed alike by EXPI-DOOR.
- B. Formated: Figure-8 type, Small Format Interchangeable or Full-Size Interchangeable type (please choose). Each core, or keyway shall be provided with (1) change, and (1) operating key. change keys are only for the removal of the core. Operating Keys are only for locking and un-locking the keyway.

D.1.08 Accessories

A. Latch Guards

- 1. Cylindrical or rose trim.
 - a. Non-handed.
 - b. 3" x 11" (76mm x 279mm).
 - c. For use on 1-3/4" (45mm) doors.
 - d. For use with cylindrical locksets with 2-3/4" (70mm) backset & exit device rose trims.
 - e. 12ga. steel, stainless steel (US32D).
 - f. Two (2) 5/16"-18 x 1-1/2" carriage bolts with 5/16"-18 x 3/4" sex nuts.
- 2. Mortise or escutcheon trim.
 - 1. Non-handed.
 - 2. 3" x 11" (76mm x 279mm).
 - 3. For use on 1-3/4" (45mm) doors.
 - 4. For use with mortise locksets with 2-3/4" (70mm) backset & exit device with escutcheon trim.
 - 5. 12ga. steel, stainless steel (US32D).
 - 6. Two (2) 5/16"-18 x 1-1/2" carriage bolts with 5/16"-18 x 3/4" sex nuts.
- B. Crash chain - certifications: Meets ANSI A156.16 for L02231. Tear resistant grey EDPM rubber with UV protection cover.
 - 1. 440 pound load strength.
 - 2. Designed for full size exterior doors.
 - 3. Base Plate: 1-1/2" x 1-1/2" (38 x 38 mm).
 - 4. Materials: Chrome plated zinc alloy base with welded galvanized steel chain.
 - 5. Finish: US26D.
 - 6. Fasteners: Ten (10) #8 x 1" FPHSMS.
 - 7. Length: 30" +/- 1/2" (762 mm).
- C. Kick plate - Certification: Meets ANSI A156.6 for J101 metal armor plate, J102 metal kick plate.
 - 1. UL listed (must specify if UL stamp is needed). Labeling shall not be required where top of protection plate is not more than 16" above the bottom of the door (NFPA 80).
 - 2. Gauge: 0.050" (1 mm).
 - 3. Materials: Stainless steel.
 - 4. Finishes: US32D.
 - 5. Bevel: 4 edges.
 - 6. Furnish item#, height, width, and finish (i.e., 190S - 8" x _", US32D).

D.1.09 Sweeps

- A. NGP 331 Door Bottom Sweep.
 1. Designed for hollow metal doors with inverted bottom channel.
 2. Rigid black polypropylene with flexible TPV fins.
 3. Installs at center line of door leaf.
- B. NGP 101V Door Bottom Sweep (Optional) - Mill Aluminum Finish. Gray Vinyl. Screw holes slotted for adjustment. Exterior Doors inward swing application.
 1. Certified by UL to CAN/ULC-S104 and ANSI/UL10B.
 2. Positive Pressure - Certified by UL to ANSI/UL10C.
 3. Air Infiltration Tested to ASTM E283.

D.1.10 Weatherstripping.

- A. NGP 5050C Charcoal weatherseal, standard - self-adhesive silicone fire and smoke seal.
 1. Certified by UL to CAN/ULC-S104 and ANSI/UL10B.
 2. Positive pressure - certified by UL to ANSI/UL10C.
 3. Air Infiltration Tested to ASTM E283.
 4. Acoustical tested to ASTM E90.
 5. Smoke & draft control gasketing.
 - a. Certified by UL to ANSI/UL10C and ANSI/UL1784 Category 'H'.
- B. NGP 155V Gray vinyl weatherseal, optional - mill aluminum finish. Gray vinyl. Screw holes slotted for adjustment. Exterior doors inward swing application.
 1. Certified by UL to CAN/ULC-S104 and ANSI/UL10B.
 2. Positive pressure - certified by UL to ANSI/UL10C.
 3. Air infiltration tested to ASTM E283.

D.1.11 Thresholds & Spreader Bars.

- A. EXPI-DOOR® Systems 5-3/4" depth to match door jambs, saddle type.
 1. Comes notched and attached to jambs with #8 x 3/4" fastener.
 2. Anchored with 1/4" x 2" flat head Sleeve Anchor.
 3. ADA compliant. Barrier-free thresholds meet the requirements of the ADA Standard for Accessible Design and ICC/ANSI A117.1 Accessible and Usable Buildings and Facilities.
- B. Spreader bar, optional.
 1. Used on preassembled door systems when standard threshold is not required or when alternate thresholds are used. Tack welded, non door side, base of jamb.
 2. Taken off prior to threshold installation by knocking off with hammer. Tack weld may need to be filed/ground down before threshold installation.
- C. NGP 896V Threshold, optional.
 1. 5" Wide, 1/2" tall, 0.105 wall thickness and need to notch to fit jamb. Comes in mill finish; vinyl bumper seal is gray.
 2. Anchored with 1/4" x 2" flat head sleeve anchor.
 3. Used for exterior door applications that door swings into building.
 4. ADA compliant. Barrier-free thresholds meet the requirements of the ADA Standard for Accessible Design and ICC/ANSI A117.1 Accessible and Usable Buildings and Facilities.

D.1.12 Lite Kit

- A. Certified by UL to CAN/ULC-S104 and ANSI/UL10B, complies with NFPA 80 and NFPA 252 for application to hollow metal fire doors rated up to 3 hrs.
- B. Positive pressure - Certified by UL to ANSI/UL10C. Complies with IBC, NFPA 80 and NFPA 252 for application to hollow metal fire doors rated up to 3 hrs.
- C. Location option: Non-ADA height unless specified.
- D. Standard kit glass thickness: 1/4" non-insulated glass or 1" insulated glass.
- E. 18 gauge. A40 Galvanneal steel. Mitered and welded corners. Welded reinforcing clips at corners. Counter-sunk mounting screw-holes. #8 Phillips head SMS.
- F. Color option: Color option: Beige Primer (BPR) or Gray Primer (GPZ).
- G. Designed for 1-3/4" thick doors manufactured within door industry tolerance of +/- 1/16". Minimum 18G galv. "U" Channel tack welded inside door leaf prior to lite kit installation for all fire-rated doors.
- H. Kit sizes (stock sizes below only - custom sizes available by request).
 - 1. 10" x 10" x 1/4" with UL mark. (Actual Kit: 9.75" x 9.75" x 1/4"). Exposed glass: 7-3/4" x 7-3/4"
 - 2. 9" x 30" x 1/4" with UL mark. (Actual Kit: 8.75" x 29.75" x 1/4"). Exposed glass: 6-3/4" x 27-3/4"
 - 3. 24" x 30" x 1/4" with UL mark. (Actual Kit: 23.75" x 29.75" x 1/4"). Exposed glass: 21-3/4" x 27-3/4"
 - 4. 9" x 30" x 1" with UL mark. (Actual Kit: 8.75" x 29.75" x 1"). Exposed glass: 6-3/4" x 27-3/4"
 - 5. 24" x 30" x 1" with UL mark. (Actual Kit: 23.75" x 29.75" x 1"). Exposed glass: 21-3/4" x 27-3/4"
- I. Glazing tape: Medium density closed-cell polyvinyl chloride foam, coated both sides with an aggressive pressure-sensitive adhesive.
 - 1. Absorbs shocks, cushions, deadens sound and eliminates excess vibration. Insulates against temperature. Effectively functions as a thermal break and insulator. Maintains a seal in high movement joints.
 - 2. Black color standard.
- J. Caulk.
 - 1. Non-rated doors: Solar Seal clear caulk, standard - exterior door side of lite kit.
 - 2. Fire-rated doors: Dap 100% Silicone clear caulk, standard - exterior door side of lite kit.
- K. Glass types & sizes (stock material below only - other glass types available by request).
 - 1. 1/4" clear tempered safety glass.
 - a. 9" x 30" x 1/4" (Actual glass: 7-11/16" x 28-11/16" x 1/4").
 - b. 24" x 30" x 1/4" (Actual glass: 22-11/16" x 28-11/16" x 1/4").
 - 2. 1" insulated clear tempered safety glass (comes with breather tube).
 - a. 9" x 30" x 1" (Actual glass: 7-11/16" x 28-11/16" x 1").
 - b. 24" x 30" x 1" (Actual glass: 22-11/16" x 28-11/16" x 1").
 - 3. 1/4" wire non-tempered glass, standard - fire-rated options. (Wire glass is not safety glass). Authority Having Jurisdiction (AHJ) approval for wire glass recommended for all projects.
 - a. 10" x 10" x 1/4" with UL watermark (90 minute rated).
 - b. 9" x 30" x 1/4" with UL watermark (45 minute rated).
 - c. 24" x 30" x 1/4" with UL watermark (45 minute rated).

4. 3/16" Pyran glass. (special order)
 - a. 9" X 30" X 3/16" Pyran "F" Filmed Firelite Kit (90 minute rated).
 - b. 24" X 30" X 3/16" Pyran "F" Filmed Firelite Kit (90 minute rated).
 - c. 10" X 10" X 3/16" Pyran "F" Filmed Firelite Kit (3hr rated).

D.1.13 Limited Warranty

A. Door & Frame Assembly (before hardware)	10 Years
B. LCN 1461 & 4040XP Closers	30 Years
1. LCN 1261 Closer	20 Years
C. Standard EXPI Hinges	1 Year
D. Von Duprin Exit Devices	3 Years
E. Falcon Exit Devices	10 Years
F. Schlage Mortise Locks	3 Years
G. Schlage Grade 1 Cylindrical Locks & Deadbolts	7 Years
H. Schlage Grade 2 Cylindrical Locks & Deadbolts	10 Years

E. DOORS, FRAMES and SUBFRAME

E.1.01 Series 700 Door Leaf (referred to as "HM" [Hollow Metal]).

- A. Gauge: 18 standard (16 and 14 available options).
- B. Steel: A60 galvanized quality carbon steel.
- C. Paint: Beige primer, baked-on, applied per ANSI A250.10.
 1. Salt Spray Test, 120 hours, ASTM B117.
 2. Condensation, 240 hours, ASTM D4585-1992.
 3. Impact Test, Gardner Direct 20 in. lbs. w/ 1/2" ball.
 4. Adhesion, ASTM D3359.
- D. Core: Polyurethane.
 1. U-Value Per ASTM C1363 = 0.498 (old method ASTM C236 = 0.09).
 2. R-Value Per ASTM C1363 = 2.01 (old method ASTM C236 = 11.1).
- E. Construction per ANSI A250.8, 1998, hardware reinforcements per ANSI 250.6-1997, and hardware locations per ANSI/DHI A115.
 1. Inverted, welded-in top channel (rail) shall be 14 gauge. Steel top-cap shall be fastened in by EXPI-DOOR.
 2. Inverted, welded-in bottom channel (rail) shall be 14 gauge.
 3. Closer reinforcement "tube" of 14 gauge shall be inserted prior to insertion of core and prior to final joining of face sheets.
 4. Prepared @ lock stile for mortise lock, Gov. 86, ANSI A115.1.
 5. Prepared @ lock stile for cylindrical lever lock, Gov. 61L, ANSI 115.2.
 6. Prepared @ lock stile for cylindrical lock, Gov. 161, ANSI 115.2.

7. Reinforced only @ lock & hinge stile for rim or mortise exit device w/ 14 gauge "tube" prior to insertion of core and prior to final joining of face sheets.
8. 7 Gauge, prepared @ hinge edge for 1 1/2 pair standard weight 4.5" high mortised hinges. Shall be provided with a removable wire to allow clearance for Heavy-Weight hinges if preferred or specified.

E.1.02 Door frames.

- A. Gauge: 16 (14 Gauge Available).
- B. Frames shall be 5 3/4" Deep (4 3/4" throat), Die-Mitered Corners, Back-Welded, sanded, cleaned and painted with equal zinc primer paint of frame color.
- C. Steel: A60 Galvannealed Quality Carbon Steel.
- D. Paint: Beige Primer, Baked-On, applied per ANSI A250.10.
 1. Salt Spray Test, 120 Hours, ASTM B117.
 2. Condensation, 240 Hours, ASTM D4585-1992.
 3. Impact Test, Gardner Direct 20 in. lbs. w/ 1/2" ball.
 4. Adhesion, ASTM D3359.
- E. Attachment of Threshold: EXPI-DOOR will attach the standard threshold to the frames to create a fully assembled unit. This is accomplished by inserting (2) self-drilling, self-tapping hex head screws into the reverse of the frame, and into the fluted channels on the under-side of our threshold. All "special" thresholds shall be shipped loose from frame with a spreader bar tack-welded in it's place.

F. ANCHORAGE

F.1.01 C-Channel Subframe

- A. 7", 8", 8.5", 10" or 11.5" galvannealed 16 gauge (14 gauge for heavier doors) subframes w/ 12 gauge galvannealed girt and base clip anchors. Includes all TEK fasteners and zinc plated concrete sleeve anchors.
- B. Full height masonry, including (8) wire anchors, 1/8" diameter wire, zinc plated.
- C. Partial height masonry, including subframe w/ 12 gauge galvannealed girt and base clip anchors from top of stem wall (wainscot) to girt. Bottom shall be equipped with either wire anchors or existing masonry application anchors (jamb drilled and dimpled with hatjamb welded in).
- D. Existing opening application, including dimpled jamb (4 per jamb) on top of stops, and preferred anchor to attach to existing wall type. Choose one of the following:
 1. Self-drilling, self-tapping, 1/4" diameter, zinc plated, 4" length, #4 Phillips driver.
 2. Expandable concrete sleeve anchor, zinc plated – prime painted Phillips head, 3/8" diameter, 5" length, #4 Phillips driver.
 3. Wood screw, 1/4" diameter, 4" length, zinc plated, #4 Phillips Driver.
 4. Threaded-rod, 3/8" diameter, 4" length, zinc plated – prime painted Phillips head, w/ star washer and lock-nut, #4 Phillips driver.
 5. Fully-threaded hanger bolt x 4-1/2" length, zinc plated – prime painted Phillips head, #4 Phillips Driver (for existing wood stud applications).

F.1.02 Jamb insulation.

- A. **All jambs shall be filled full with "batt" or fiberglass insulation.

G. SWING TYPE

G.101. Customer is to choose from the below chart at time of order confirmation or prior to submitting a Purchase Order to EXPI-DOOR.

SINGLE DOOR		DOUBLE DOOR	
<p>Inside Outside</p> <p>AI LEFT HAND</p>	<p>Inside Outside</p> <p>CI LEFT HAND ACTIVE</p>		
<p>Inside Outside</p> <p>BI RIGHT HAND</p>	<p>Inside Outside</p> <p>DI RIGHT HAND ACTIVE</p>		
<p>Inside Outside</p> <p>A LEFT HAND REVERSE</p>	<p>Inside Outside</p> <p>C LEFT HAND REVERSE ACTIVE</p>		
<p>Inside Outside</p> <p>B RIGHT HAND REVERSE</p>	<p>Inside Outside</p> <p>D RIGHT HAND REVERSE ACTIVE</p>		

Description Key:

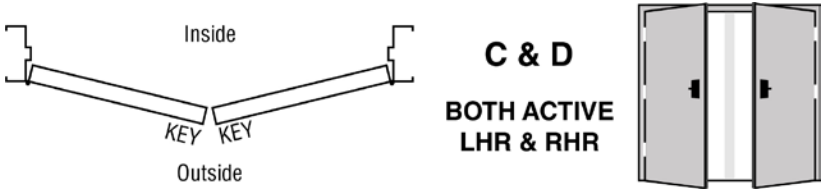
Single Door "AI" Swing (LH) Exterior door
 Single Door "AI" Swing (LH) Interior door
 Single Door "A" Swing (LHR)
 Single Door "BI" Swing (RH) Exterior door
 Single Door "BI" Swing (RH) Interior door
 Single Door "B" Swing (RHR)

Double Door "CI" Swing (LH active, RH inactive) Exterior door
 Double Door "CI" Swing (LH active, RH inactive) Interior door
 Double Door "C" Swing (LHR active, RHR inactive)
 Double Door "DI" Swing (RH active, LH inactive) Exterior door
 Double Door "DI" Swing (RH active, LH inactive) Interior door
 Double Door "D" Swing (RHR active, LHR inactive)

Double Doors with one active door and one inactive door have "Z" Astragal on inactive door standard.

Above noted "Interior door" will have threshold and weather-strip unless specified something different.

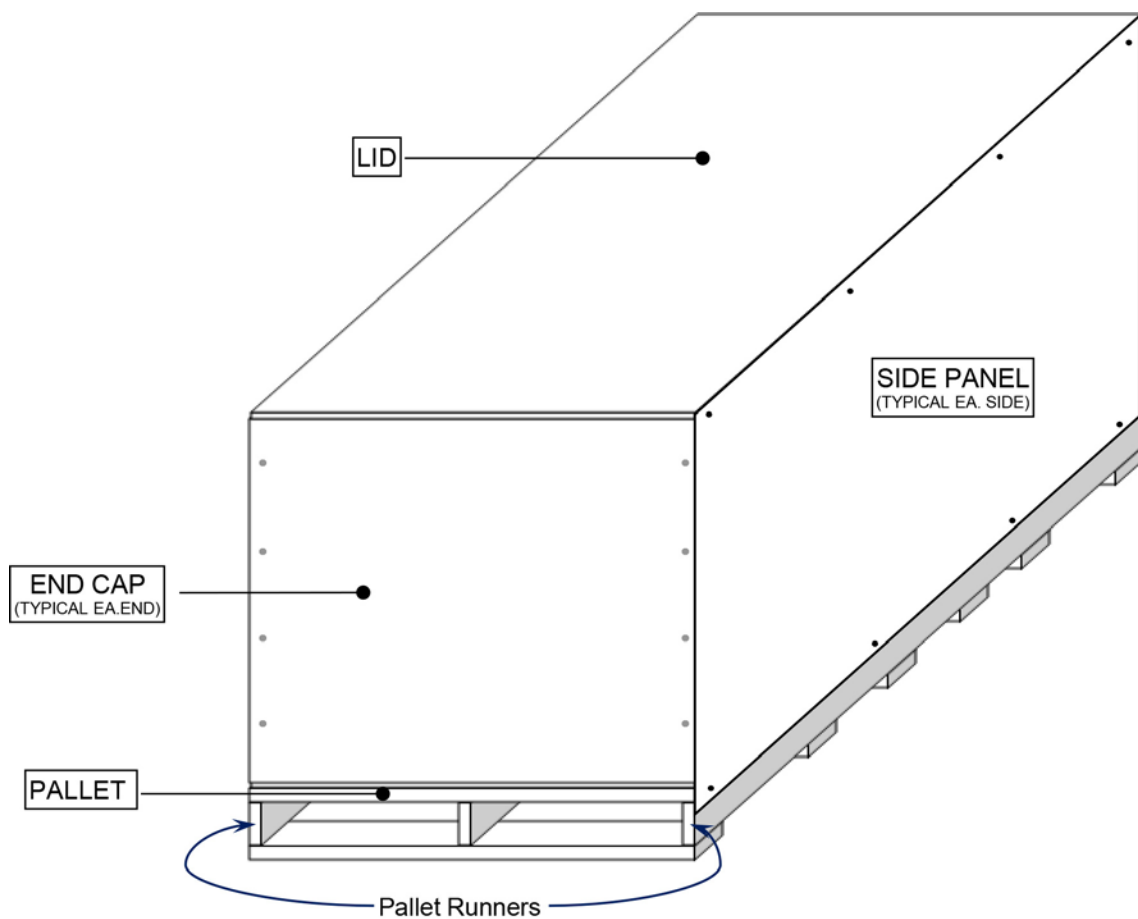
Above noted "Exterior door" will have spreader bar with bumper threshold (shipped loose), drip sweep, concealed sweep, stick on weather-strip and aluminum weather-strip.



Double Door C & D Both Active with Mullion: Standard with (2) exit device with lever exterior lock trim or optional exit only (no exterior lock trim).

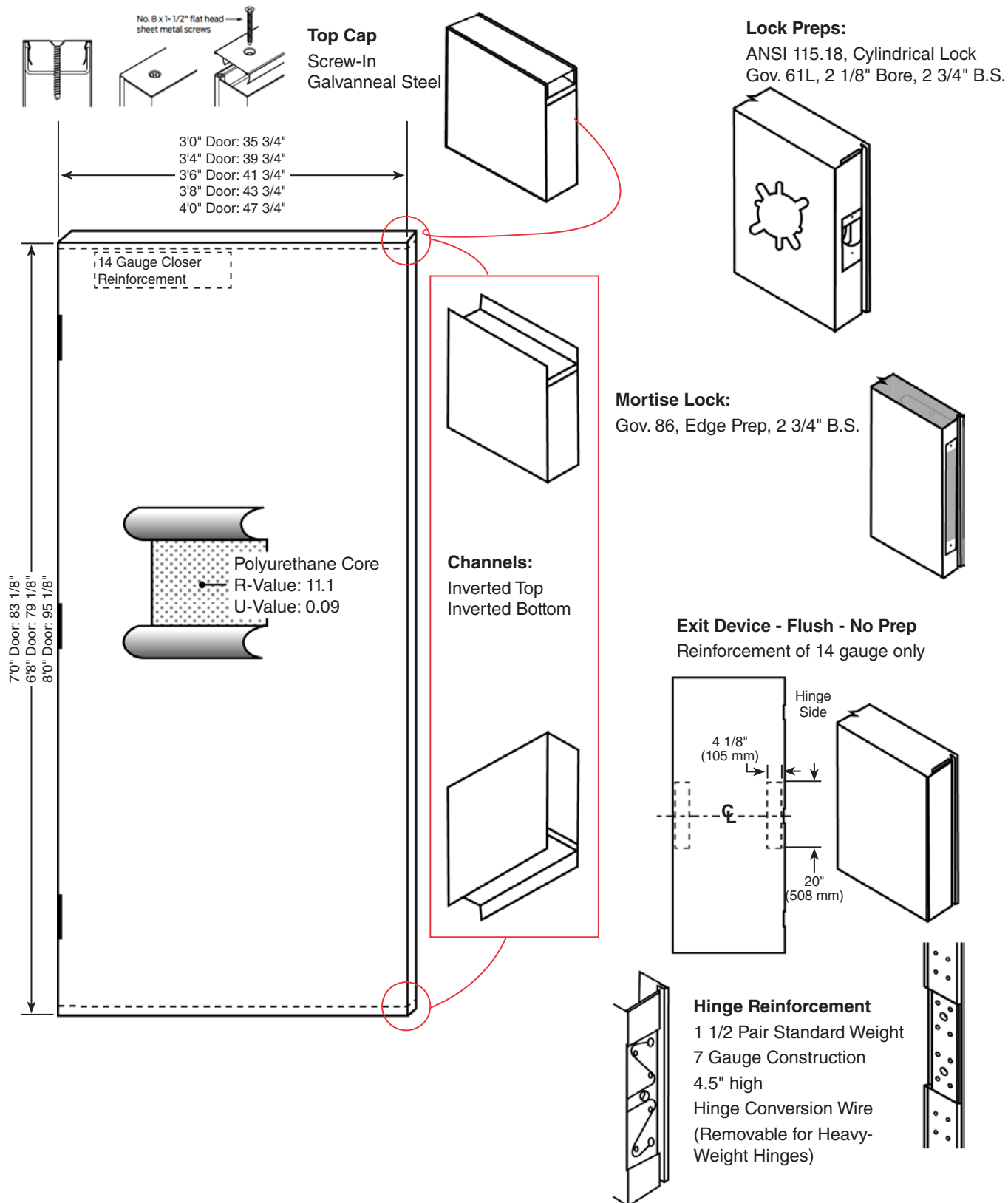
PACKAGING DETAILS - PREASSEMBLED DOORS

Single door loaded on a 4'x8' pallet, and fastened down through C-channel subframe to 1-3/4" outer runner of pallet. Each door is then stacked and fastened to the door below through C-channel subframe with self driller fastener. Up to 4 doors per pallet can be stacked. A lid is created from 2x4's and OSB and set on top of top door. End caps are then fastened to each girt and base clip and into the ends of the 2x4's of the lid. Side panels are attached to pallet runners at the bottom and to the runners of the "lid".

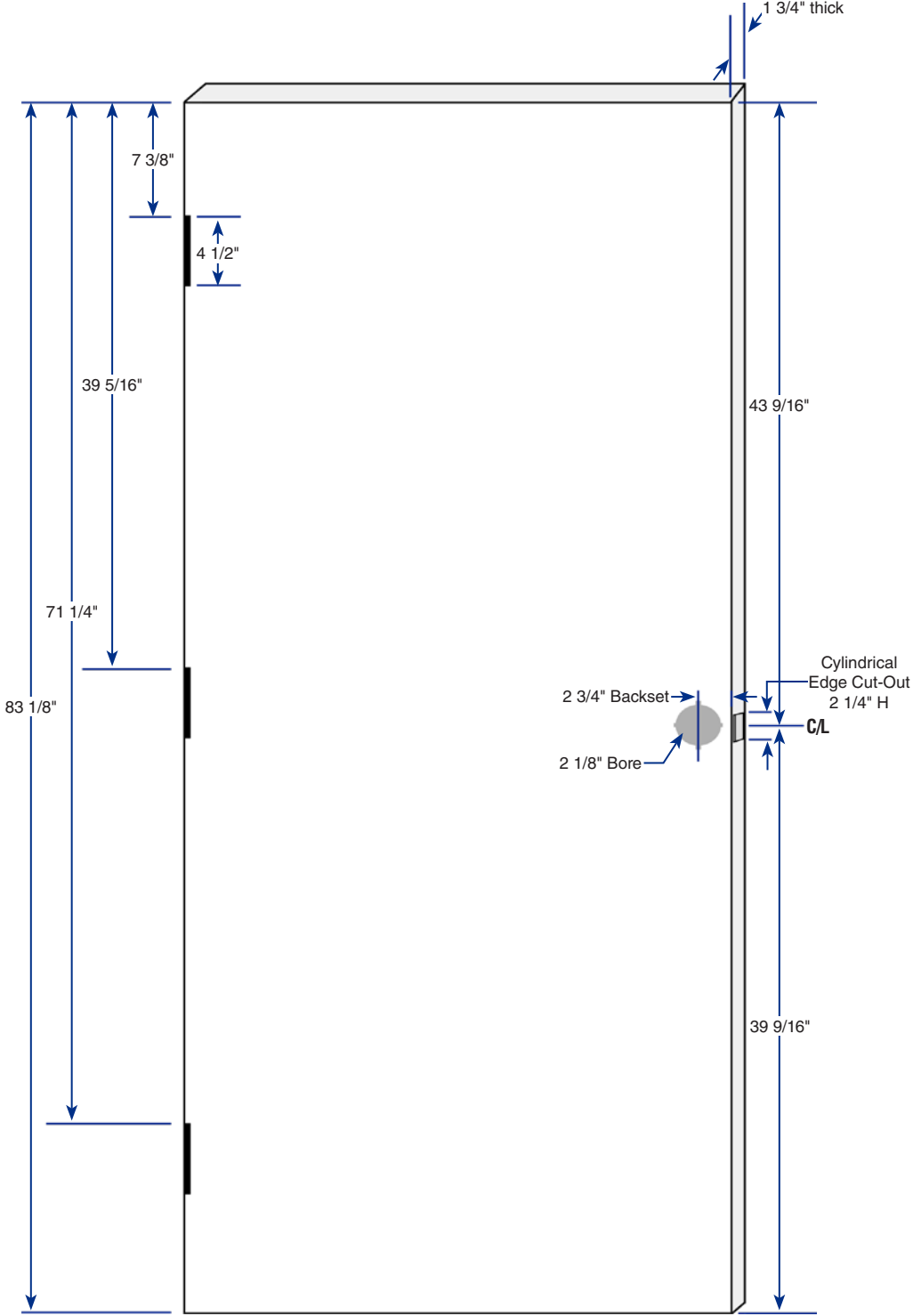


Doors that do not receive subframes, such as Masonry Anchor Doors or Stud Wall Anchor Doors, shall be set on appropriate blocking between each door to create appropriate space between lockset and door leaf of the door above. Sides, ends, and top are all covered with OSB or plywood for a completely boxed product.

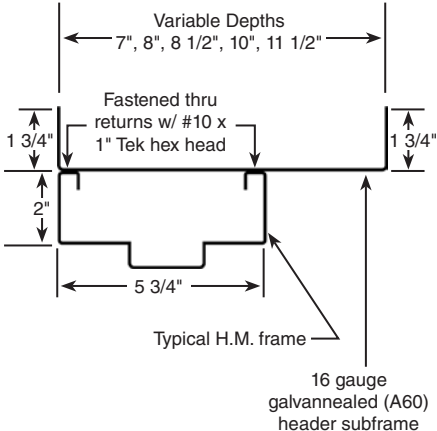
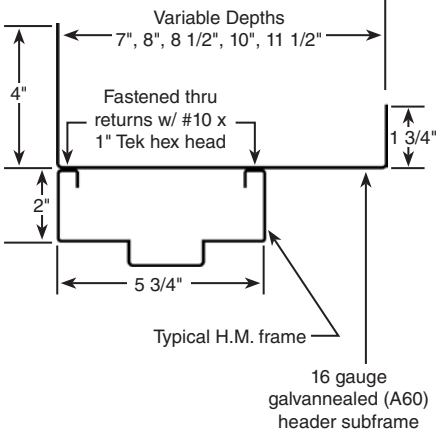
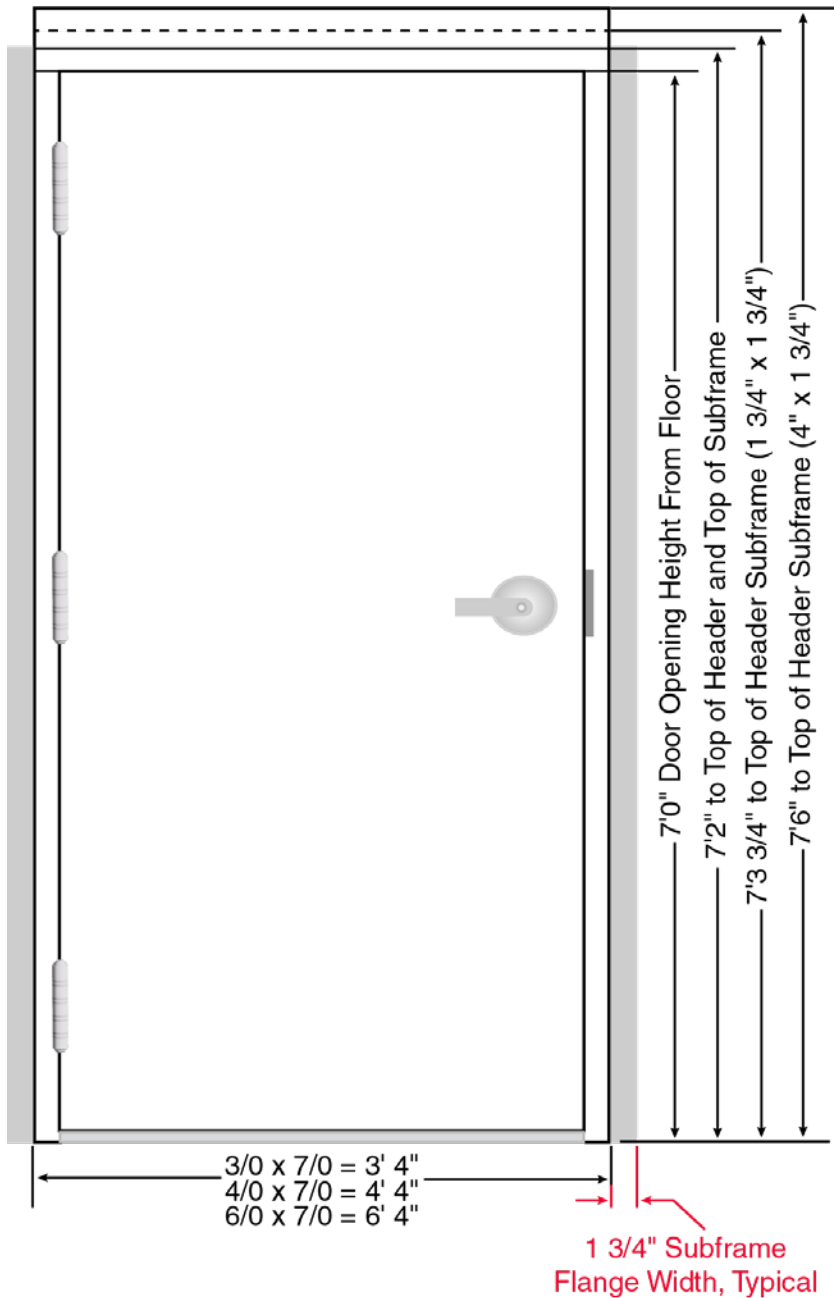
DOOR LEAF DETAILS - CORE & PREPS



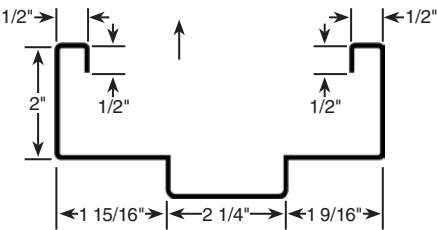
DOOR LEAF DETAILS - HARDWARE LOCATIONS



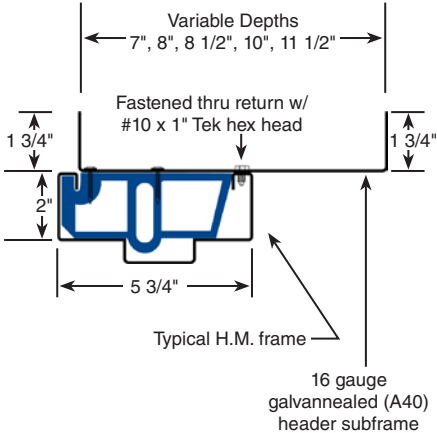
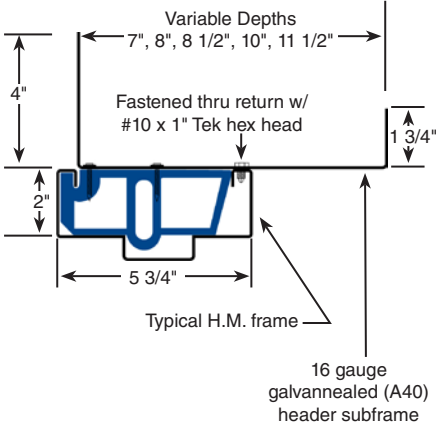
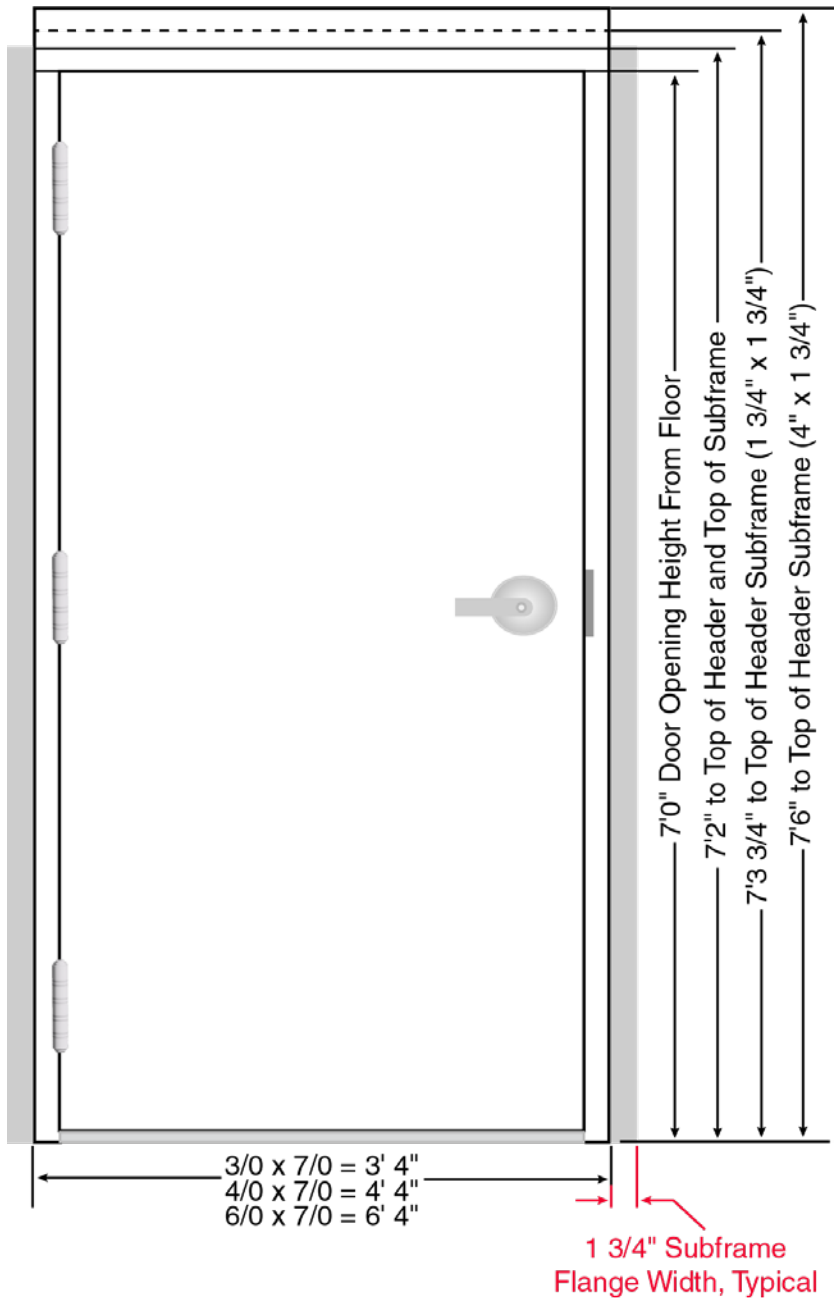
STANDARD DOOR FRAME DETAILS WITH FLUSH SUBFRAME



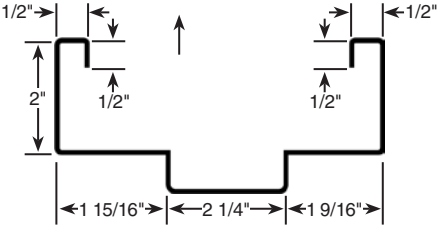
Typical Jamb Header, Strike & Hinge



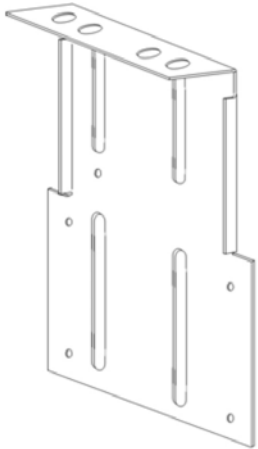
STANDARD DOOR FRAME DETAILS WITH OFFSET SUBFRAME



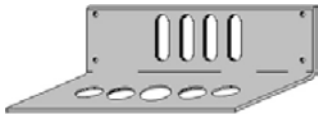
Typical Jamb Header, Strike & Hinge



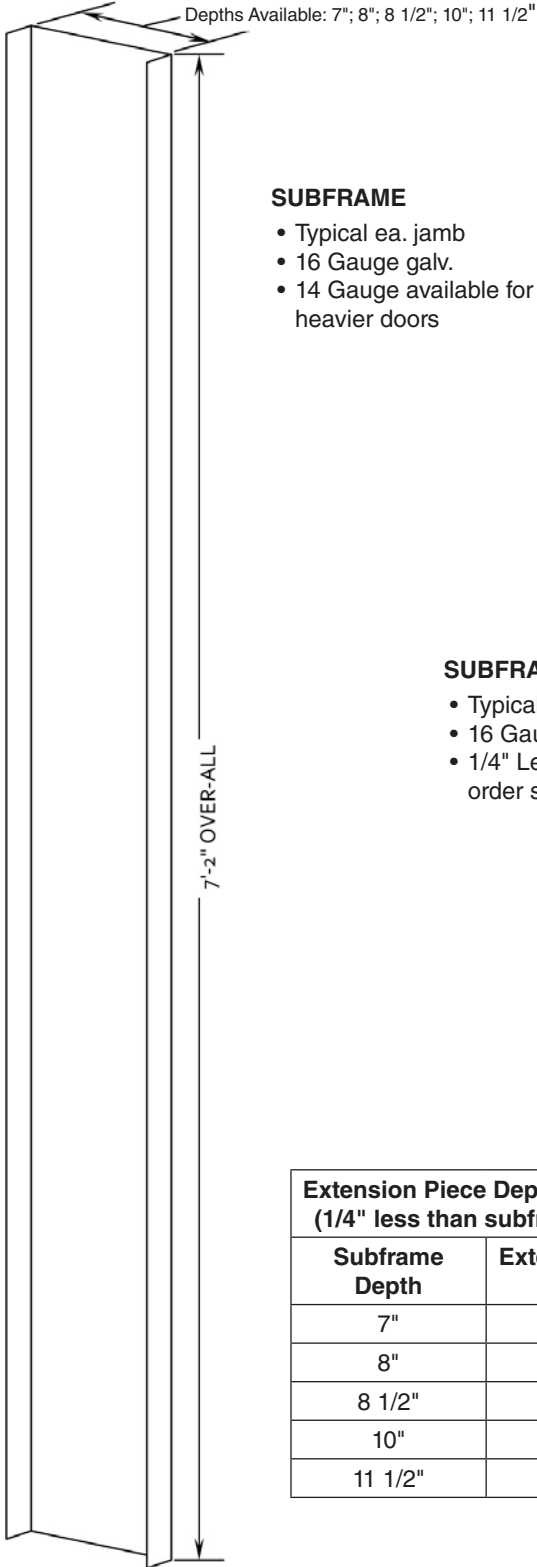
STANDARD DOOR SUBFRAME DETAILS



GIRT ANCHOR (L-CLIP)
 12 Gauge galvanized
 5 3/4" wide x 9 1/2" long



BASE ANCHOR (L-CLIP)
 12 Gauge galvanized
 5 3/4" wide x 2" high



SUBFRAME

- Typical ea. jamb
- 16 Gauge galv.
- 14 Gauge available for heavier doors

SUBFRAME EXTENSION

- Typical ea. jamb
- 16 Gauge galv.
- 1/4" Less than subframe order size

Extension Piece Depths Available (1/4" less than subframe depth)	
Subframe Depth	Extension Piece Depth
7"	6 3/4"
8"	7 3/4"
8 1/2"	8 1/4"
10"	9 3/4"
11 1/2"	11 1/4"



DEFAULT SUBFRAME ATTACHMENT DETAILS

Offset C-Channel Subframe Using EXPI-Anchor

Test Lab Final Report

Test Number	T-1136
Lab Tech	K. Bishop
Initiator:	K. Roeper

Test A: Fit / Function check - no lock hardware installed.

Door hung with std weight template butt hinges in opening to check for function and fit (clearance) issues.

No issues were noted.

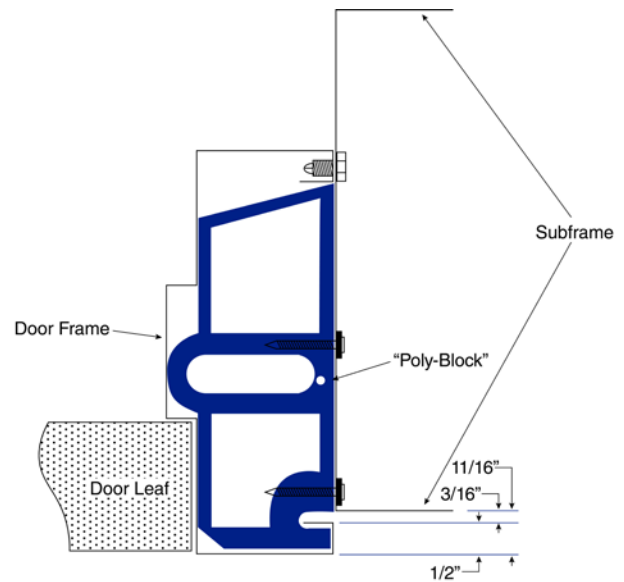
Test B: Accelerated Cycle Test SDI 250.5 - Level B 500,000 cycles

Unit checked periodically throughout cycle testing for sag, metal fatigue, separation of seams, fastener failure. No issues noted during or after completion of cycle testing.

Full copy of 4/10/2000 Physical Endurance Test available upon request with non-disclosure agreement signed. (Optional offering).

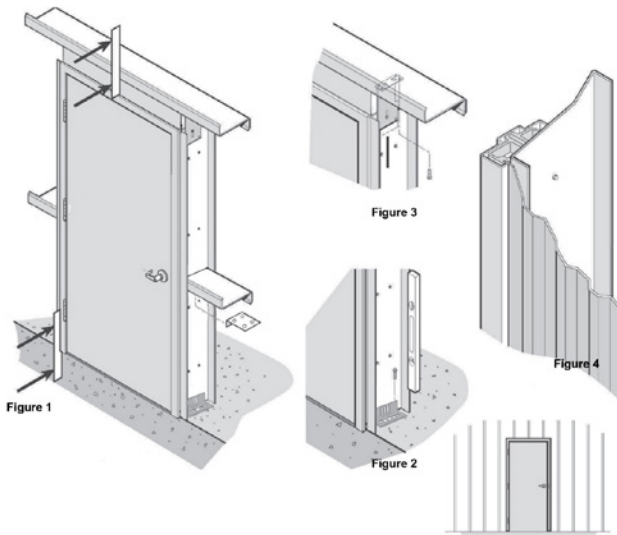
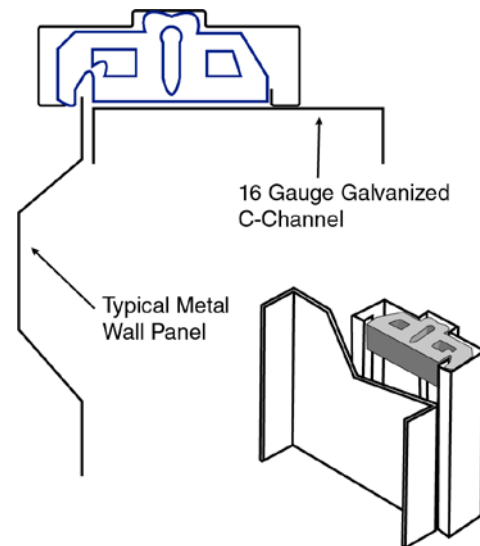
See Offset Installation Instruction for details.

OFFSET SUBFRAME ATTACHMENT



OFFSET SUBFRAME

The Offset C-Channel allows for the self-flashing system with the wall panel tucked behind the front face of the frame. No jamb trim is required.

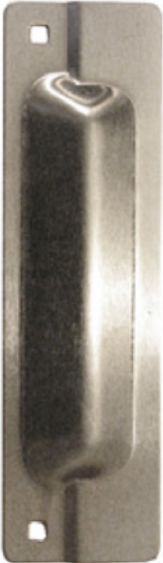


LATCHGUARD DETAILS

Stainless Steel Latchguard
Included in Standard EXPI-DOOR Package



**LATCHGUARD FOR
CYLINDRICAL (BORED)
LOCKSETS**



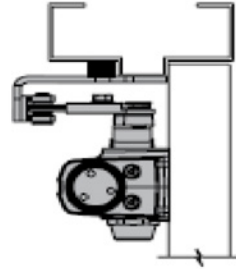
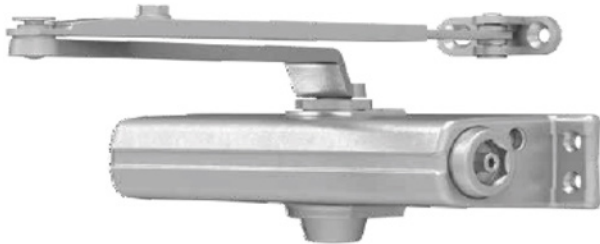
**LATCHGUARD FOR
MORTISE LOCKSETS**

**SPECIALTY CARRIAGE SEX NUT/BOLT
W/ ALLEN DRIVERS**



STANDARD-DUTY CLOSER

LCN 1261



Description

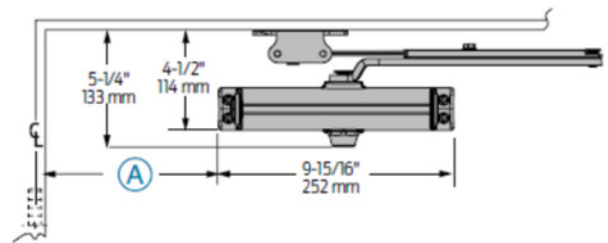
- ANSI A156.4 Light to Medium Duty Commercial Applications
- UL and ADA Compliant
- Grade 1 - 1,500,000 Cycles Tested
- Surface-Applied
- Adjustable Latching And Sweep Speeds
- Staked Valves (Prevents Closer From Leaking Fluid)
- Cast Iron Closer Body
- All-Weather Fluid
- Non-Handed
- Meets BAA (Buy American Act) Guidelines
- ANSI/BHMA 689 (Powder-Coat Aluminum) Finish
- 20 Year Warranty



OPTIONAL: Hold-Open Parallel-Arm Assembly



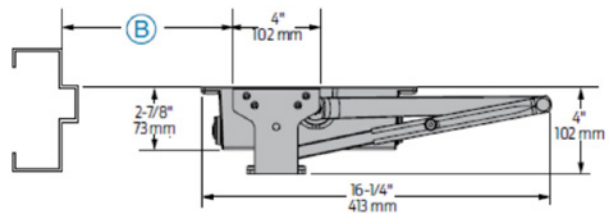
Standard Parallel-Arm Soffit Shoe



NOT TO BE USED ON DOORS OVER 36" WIDTH

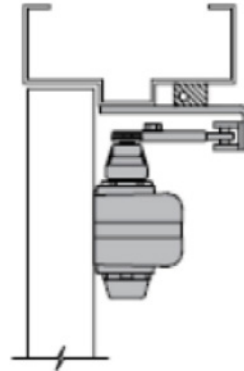
Meets ANSI CO2021
 Parallel-Arm, Hold-Open, and Non-Hold-Open

Included in CO2021:
 PT4A=15% Adj. Closing Force
 PT4B=35% Adj. Closing Force
 PT4C=50% Adj. Closing Force
 PT4D=Adj. Hydraulic BackCheck
 PT4F=Delayed Action (ADA)
 PD4G=Factory DeadStop Incl
 PT4H=Spring Power Adjust



MODERATE-DUTY CLOSER

LCN 1461



Description

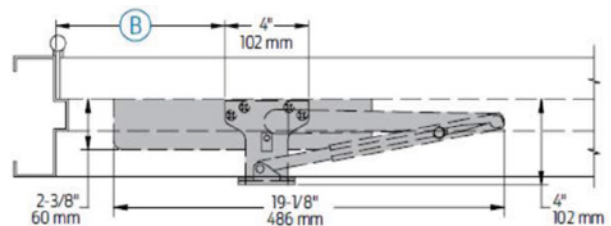
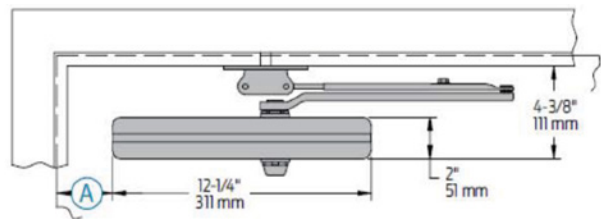
- ANSI A156.4 Medium-Duty Commercial Applications
- UL and ADA Compliant
- Grade 1 - 1,500,000 Cycles Tested
- Slim-Line Plastic Cover Standard
- Adjustable Latching And Sweep Speeds
- Staked Valves (Prevents Closer From Leaking Fluid)
- Cast Iron Closer Body
- Surface-Applied
- All-Weather Fluid
- Non-Handed
- Meets BAA (Buy American Act) Guidelines
- ANSI/BHMA 689 (Powder-Coat Aluminum) Finish
- 30 Year Warranty



OPTIONAL: Hold-Open Parallel-Arm Assembly



Standard Parallel-Arm Soffit Shoe

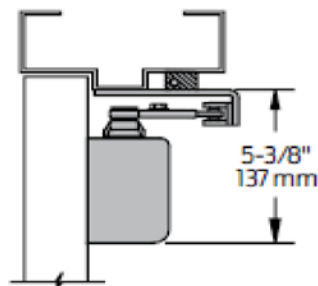
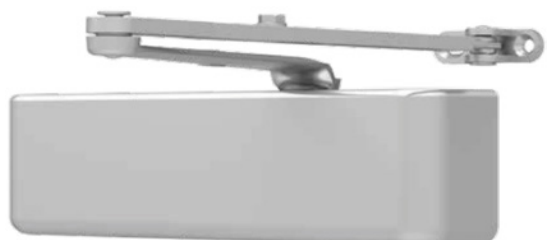


Meets ANSI CO2021
 Parallel-Arm, Hold-Open,
 and Non-Hold-Open

Included in CO2021:
 PT4A=15% Adj. Closing Force
 PT4B=35% Adj. Closing Force
 PT4C=50% Adj. Closing Force
 PT4D=Adj. Hydraulic BackCheck
 PT4F=Delayed Action (ADA)
 PD4G=Factory DeadStop Incl
 PT4H=Spring Power Adjust

HEAVY-DUTY CLOSER

LCN 4040XP



Description

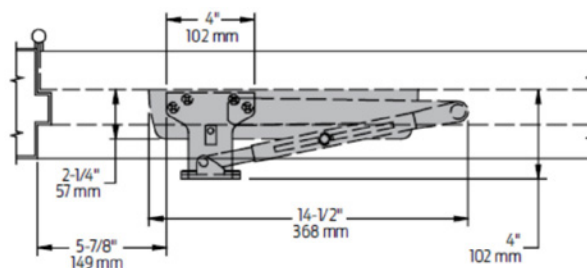
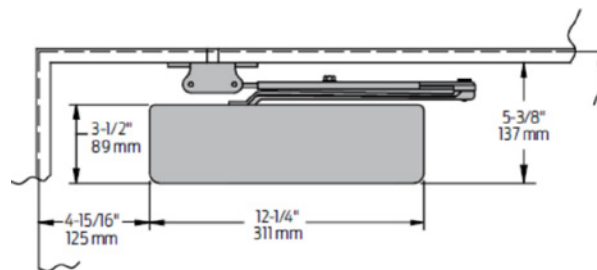
- ANSI A156.4 Heavy-Duty, Extra-Power Commercial Applications
- UL and ADA Compliant
- Grade 1 - 1,500,000 Cycles Tested
- Impact-Resistant Plastic Cover Standard
- Full-Range Of Adjustability
- Staked Valves (Prevents Closer From Leaking Fluid)
- Cast Iron Closer Body
- Surface-Applied
- All-Weather Fluid
- Non-Handed
- Meets BAA (Buy American Act) Guidelines
- ANSI/BHMA 689 (Powder-Coat Aluminum) Finish
- 30 Year Warranty



OPTIONAL: Hold-Open Parallel-Arm Assembly



Standard Parallel-Arm Soffit Shoe

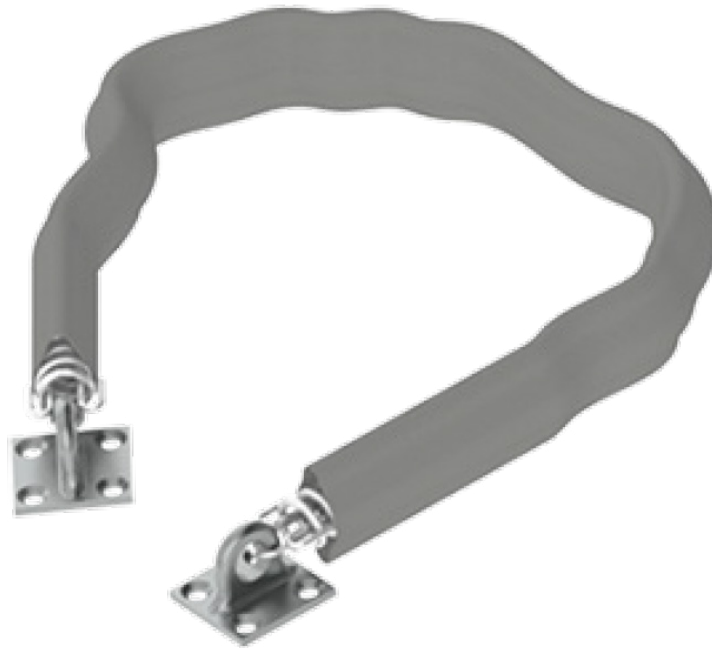


Meets ANSI CO2021
Parallel-Arm, Hold-Open, and Non-Hold-Open

Included in CO2021:
PT4A=15% Adj. Closing Force
PT4B=35% Adj. Closing Force
PT4C=50% Adj. Closing Force
PT4D=Adj. Hydraulic BackCheck
PD4G=Factory DeadStop Incl
PT4H=Spring Power Adjust

CRASH CHAIN DETAILS

Hager 300D



Use alone or in conjunction with any surface-mount closer.

Features:

- Specially designed for full-size exterior doors
- Tear-resistant, grey EPDM rubber cover with UV protection
- Heavy-duty compression spring assembled to both ends of chain and end brackets
- Packed with sheet metal screws
- Chrome plated zinc alloy brackets with solid, welded steel chain
- 440 lb. load strength

Attachment:

Pre-measured and installed w/ #18 x 1" #2 Phillips head screws

Mounts to door stop (soffit) surface of door frame and to the door leaf, by connecting through the internal closer reinforcement

STANDARD LOCK DETAILS

Grade 2 Entry Lever

Schlage ALX53PD - Rhodes - 626

Included in Standard EXPI-DOOR Package



Standard Schlage Core

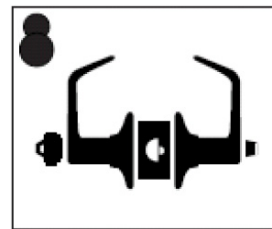


With Optional IC Core

- Small Format IC (Best brand fits)
- Full-Size Format IC (Schlage and competitors fit but not Best brand)

- Schlage brand, Grade 2 Entry Lever, Keyed
- Bored/Cylindrical
- 2 3/4" Back-Set
- Brushed Chromium (US26D) Finish
- Stainless Steel Latchbolt w/1/2" Throw, Deadlocking / Anti-Vandal
- Steel Lock Chassis, Zinc Diachromated for Corrosion Resistance
- Fits standard Gov. 161, or 61L Prep w/Thru-Bolting Thru Door
- Solid Cast Levers
- Independent Lever Return Springs
- Strike 1 1/4" x 4 7/8" ANSI
- Schlage "C" Keyway 6-Pin Cylinder
- Meets ANSI A117.1 Accessibility (ADA) Code
- Meets ANSI A156.2 Series 4000, Grade 2
- UL Listed up to "A" Label (3-Hour) Single Swing Doors
- 10 Year Limited Warranty

ALX53PD F109 Entrance Lock



Turn/push-button locking: pushing and turning button locks outside lever requiring use of key until button is manually unlocked.

Push-button locking: pushing button locks outside lever until unlocked by key or by turning inside lever

STANDARD LOCK DETAILS

Grade 1 Entry Lever

Schlage ND53PD - Rhodes - 626



Standard Schlage Core

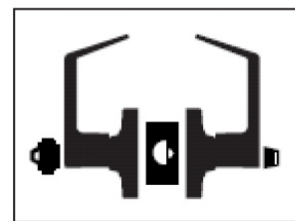


With Optional IC Core

- Small Format IC (Best brand fits)
- Full-Size Format IC (Schlage and competitors fit but not Best brand)

- Schlage brand, Grade 1 Entry Lever, Keyed
- Bored/Cylindrical
- 2 3/4" Back-Set
- Brushed Chromium (US26D) Finish
- Stainless Steel Latchbolt w/1/2" Throw, Deadlocking / Anti-Vandal
- Steel Lock Chassis, Zinc Diachromated for Corrosion Resistance
- Fits standard Gov. 161, or 61L Prep w/Thru-Bolting Thru Door
- Solid Cast Levers
- Independent Lever Return Springs
- Strike 1 1/4" x 4 7/8" ANSI
- Schlage "C" Keyway 6-Pin Cylinder
- Meets ANSI A117.1 Accessibility (ADA) Code
- Meets ANSI A156.2 Series 4000, Grade 1
- UL Listed up to "A" Label (3-Hour) Single Swing Doors
- 7 Year Limited Warranty

ND53PD F109 Entrance Lock

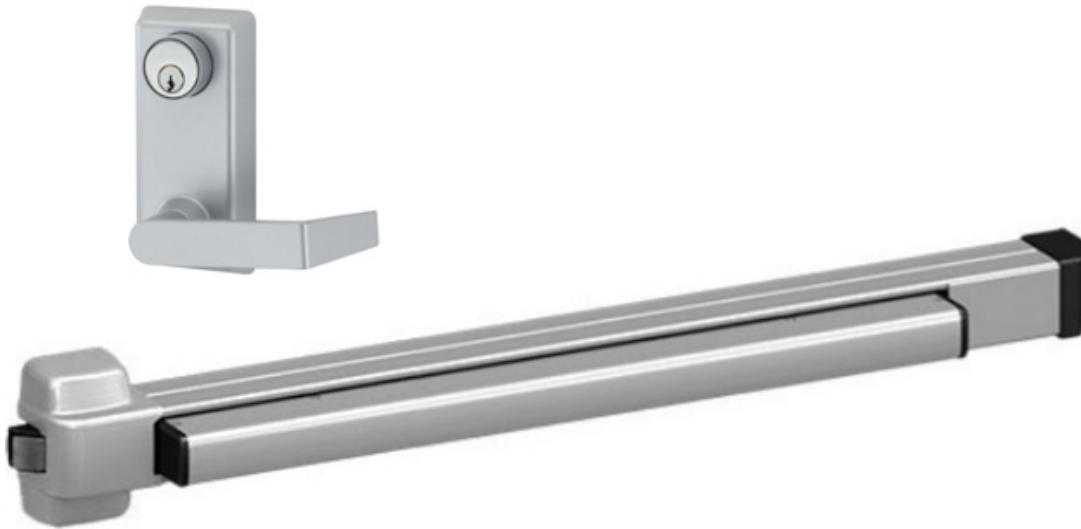


Turn/push-button locking: pushing and turning button locks outside lever requiring use of key until button is manually unlocked.

Push-button locking: pushing button locks outside lever until unlocked by key or by turning inside lever

STANDARD EXIT DEVICE W/ LEVER DETAILS

Exit Device (Panic) with Lever x Escutcheon Trim
Von Duprin 22L x 230L - SP28



- ANSI A156.3, 1994, Grade 1
- Fits 28" - 48" Doors
- Aluminum Powder-Coated Finish (Push-Bar & Lever Trim) SP28
- Steel Latch with "Moly Dag" Coating (Black) - 3/4" Throw
- Deadlocking Latchbolt w/ Anti-Pick Latch
- Hex-Key ("Allen") Dogging Bar
- 2 3/4" Back-Set
- Adjustable Strike w/ Slotted Holes for adjustability
- Surface Mounted
- 3 Year Limited Warranty

STANDARD EXIT DEVICE W/ LEVER DETAILS

Exit Device (Panic) with Lever x Escutcheon Trim
 Von Duprin 99L - 996L x US26D



- ANSI A156.3, 1994, Grade 1
- Fits 28" - 36" Doors (4' available from factory)
- US26D Brushed Chromium Finish (Bar & Lever)
- Steel Latch with Moly Dag Coating (Black) - 3/4" Throw
- Deadlocking Latchbolt w/ Anti-Pick Latch
- Hex-Key ("Allen") Dogging Bar
- 2 3/4" Back-Set
- Adjustable Strike w/ Slotted Holes for adjustability
- Surface Mounted
- Exterior Escutcheon Breakaway Lever Trim
- 3 Year Limited Warranty

STANDARD EXIT DEVICE W/ LEVER DETAILS

Exit Device (Panic) with Lever x Escutcheon Trim Rim Falcon 25R x 510-L Dane



- ANSI A156.3, 1994, Grade 1
- Fits 28" - 36" Doors (4' available from factory)
- US26D Brushed Chromium Finish (Bar & Lever)
- Steel Latch Bolt, 3/4" Throw
- Deadlocking Latchbolt w/ Anti-Pick Latch
- Hex-Key ("Allen") Dogging Bar
- 2 3/4" Back-Set
- Adjustable Strike w/ Slotted Holes for adjustability
- Surface Mounted
- Exterior Escutcheon Lever Trim
- 10 Year Limited Warranty

STANDARD EXIT DEVICE W/ LEVER x ESCUTCHEON TRIM

Exit Device (Panic) with Lever x Escutcheon Trim
Mortise Falcon 25M x 510-L Dane



2789 Dogging Key



1279 Strike Plate Black Finish



510L



299 Strike

- ANSI A156.3, 1994, Grade 1
- ANSI A115.1 Mortise Lock Function
- Fits 28" - 36" Doors (4' available from factory)
- US26D Brushed Chromium Finish (Bar & Lever)
- Steel Latchbolt w/ Moly Dag Black Coating - 3/4" Throw
- Deadlocking Latchbolt w/ Anti-Pick Latch
- Hex-Key ("Allen") Dogging Bar
- 2 3/4" Back-Set
- Standard Black Finish Mortise Strike Plate, 4-7/8" ASA
- Exterior Escutcheon Lever Trim
- 10 Year Limited Warranty

FORMATTED, INTERCHANGEABLE CORE (S.F.I.C.) INFORMATION

Mortise or rim cylinder housing with Figure-8 S.F.I.C. Cylinder Core in Falcon "A" keyway (comparable to BEST's most common keyway) - Used for mortise/rim locks, mortise exit devices, cylindrical dogging for any exit device (add option), and most auxiliary hardware.

Provided with:

- One (1) control key for core removal from lockset.
- Two (2) operating keys to lock/unlock the lever or device.

Permanent cores provided by the manufacturer only and sold directly to the end-user.

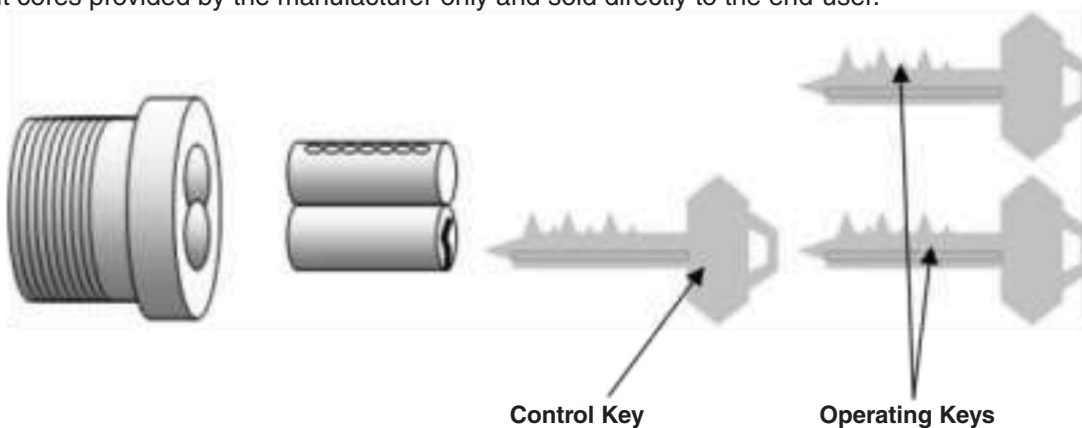
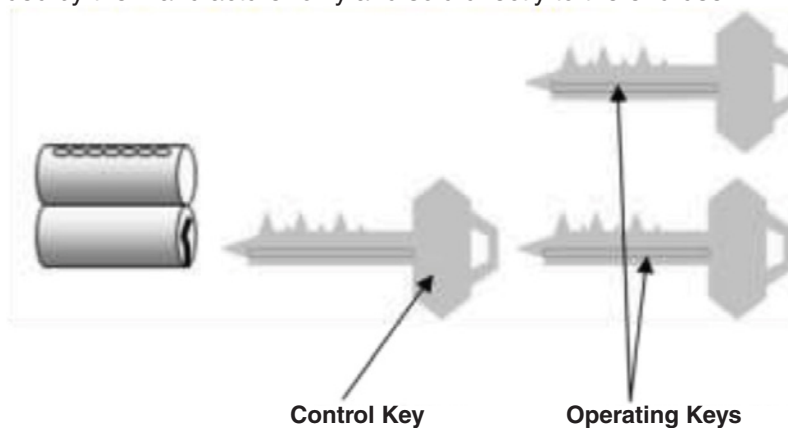


Figure-8 S.F.I.C. Cylinder Core in Falcon "A" keyway (comparable to BEST's most common keyway) - Used for cylindrical locks and key-in-lever exit device trim.

Provided with:

- One (1) control key for core removal from lockset
- Two (2) operating keys to lock/unlock the lever or device

Permanent cores provided by the manufacturer only and sold directly to the end-user.



Housings and I.C. keyways by Schlage or Falcon. Must specify when ordering if "small format" or "full size" cores are needed.

MORTISE LEVER LOCK DETAILS

Grade 1 Mortise Entry Lever

Schlage L9453 x 06N x 626



Schlage ANSI

L9453 F20

Entrance Lock

Latchbolt retracted by knob/lever from either side unless outside is locked by 20° rotation of thumbturn. Deadbolt thrown or retracted by 90° rotation of thumbturn. When locked, key outside or knob/lever inside retracts deadbolt and latchbolt simultaneously. Outside knob/lever remains locked until thumbturn is restored to vertical position. Throwing deadbolt automatically locks outside knob/lever. Auxiliary latch deadlocks latchbolt when door is closed. Inside lever is always free for immediate egress.



Small Format I.C. Core
(to fit Best brand) Available



Full Size I.C. Core
(Schlage brand) Available

- ANSI A156.13 Series 1000, Grade 1
- UL Listed for "A" Label (3-Hour) Fire Doors
- 2 3/4" Back-Set / Field Reversible Lock-Body
- Brushed Chromium (US26D) Finish
- Steel Latchbolt w/3/4" Throw, Deadlocking / Anti-Vandal
- Stainless Steel Deadbolt w/ 1" Throw
- Lever Retracts Deadbolt from Thumb-Turn Side for Life-Safety Compliance
- Fits standard Gov. 86 & 86E Prep w/Thru-Bolting Thru Door
- Cases are Cold-Rolled Formed Steel 0.090" Thick - Zinc
- Solid Forged Brass Handles and Escutcheons
- Strike 1 1/4" x 4 7/8" ANSI
- Standard Keyway: Schlage "C" Keyway 6-Pin Cylinder
- Available with S.F.I.C. (Small Format Interchangeable) Cores
- Meets ANSI A117.1 Accessibility (ADA) Code
- 3 Year Limited Warranty

HINGE DETAILS

Standard Hinges

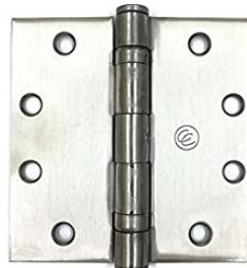
1 1/2 Pair Per Single Door

3 Pair Per Double Door



- Satin Chromium Finish over steel (BHMA 652)
- 4.5" x 4.5" (114 mm x 114 mm)
- 0.134" Gauge standard weight
- Non-removable pin
- 5-Knuckle w/ button tip & plug
- Ball bearings
- ANSI A8112

Heavy-weight hinges available upon request



OPTIONAL

HAGER HINGE CO.

Model# ECBB1101

- ANSI A156.1
- Stainless steel material and US32D finish
- 4.5" x 4.5" (114mm x 114mm)
- 0.134" Gauge standard weight
- Non-removable pin
- ANSI A5112



OPTIONAL

HAGER HINGE CO.

Model# BB1191

- ANSI A156.1
- Brass leaf & SS pin
- 4.5" x 4.5" (114mm x 114mm)
- 0.134" Gauge standard weight
- Non-removable pin
- ANSI A2112



OPTIONAL

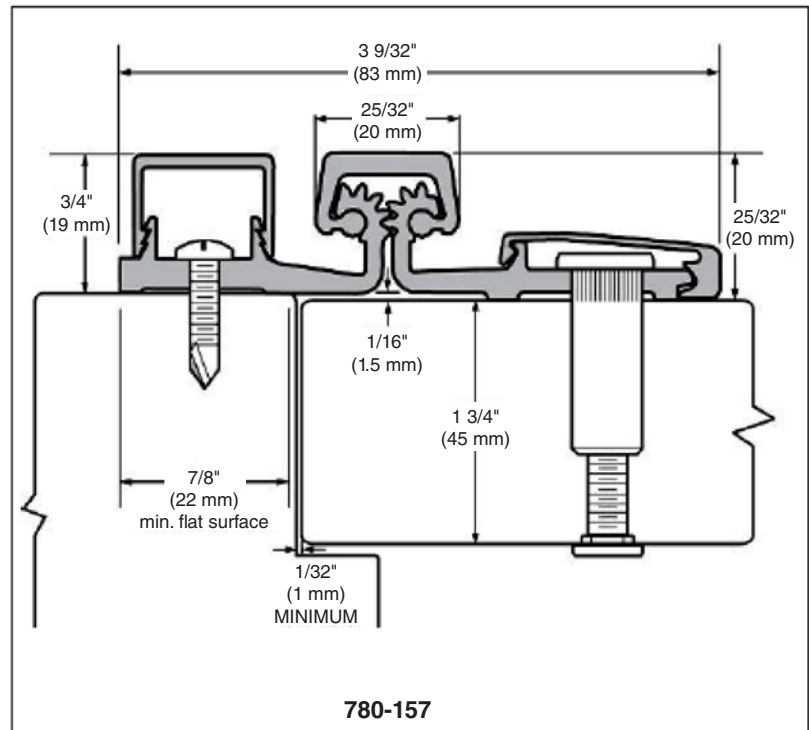
HAGER HINGE CO.

Model# BB1199

- ANSI A156.1-2000
- Stainless steel leaf & SS pin
- 4.5" x 4.5" (114mm x 114mm)
- 0.180" Gauge heavy weight
- Non-removable pin
- ANSI A5111

STANDARD FULL-SURFACE CONTINUOUS HINGE

Optional for all doors, but **DEFAULT** for Series 700 4/0 x 7/0 Door Systems



Product Specifications

Fasteners:

- Standard #12-24 x 11/16" self-drilling pan head machine screw
- 1/4" - 20 thru bolts for 1-3/4" doors

Length Options:

- Length to be ordered should be one inch LDH (Less Door Height)

Door Reinforcement:

- None required

Frame Reinforcement:

- None required to 200 lbs. Heavier weight use 16-gauge reinforcing channel welded-in behind face

Fire-Rating:

- Up to 3 hour metal and 90 minute wood composite (with fire-studs)
- When ordering, must specify if UL stamp is required

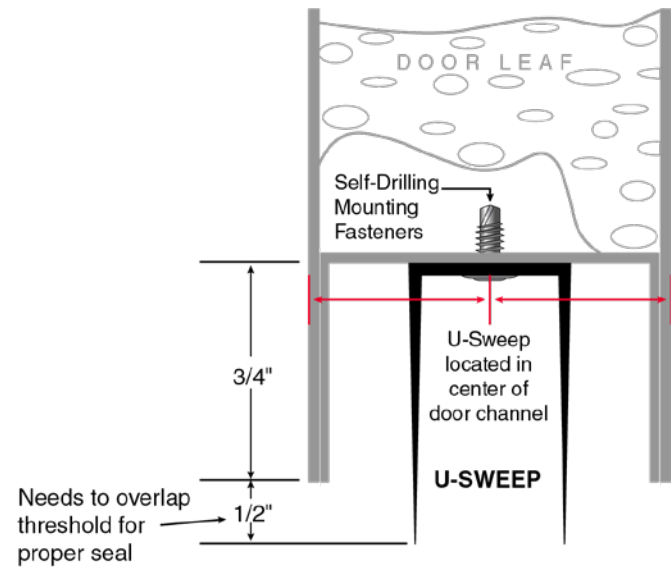
Warranty:

- All Roton products have a lifetime warranty. Electronic transfer hinges shall carry a one-year warranty.

Material:

- Aluminum 6063T6

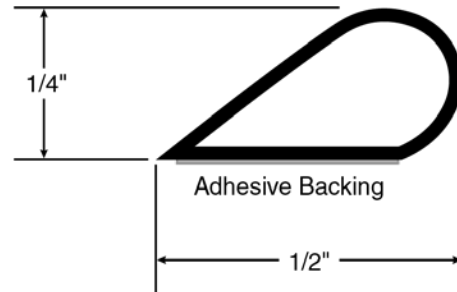
STANDARD U-SWEEP

**DESCRIPTION:**

- Dual-finger door shoe, NGP #331 (or equal)
- Rigid black polypropylene top with flexible TPV fins
- Designed for hollow metal doors with inverted bottom channel
- Installs at center-line of door leaf (as pictured)

PERIMETER WEATHERSTRIPPING

Self-Adhesive Silicone Fire and Smoke Seal



DESCRIPTION:


- Synthetic rubber polymer: Siloxane
- Self-adhesive "C" Charcoal (Black) material
- Flame resistant
- Excellent flexibility and memory
- Excellent resistance to ozone, UV, and aging

CERTIFICATIONS:

- ANSI/UL10C, ANSI/UL 1784 Category 'H': Smoke & draft control
- ASTM E283: Air Infiltration/Leakage
- NFPA 80 & 252 positive pressure
- CAN/ULC-S104 and ANSI/UL10B: 90 minute fire resistant
- ANSI/BHMA A156.22 gasketing and edge seal systems
- End use temperature range of adhesive, long term exposure -30°F up to 250°F
- Modified acrylic pressure-sensitive adhesive protected by release liner
- BHMA certified to ANSI/BHMA A156.22 performance tests for heat, cold and air filtration.
- Resistant to aging, weathering, UV radiation, moisture, detergent

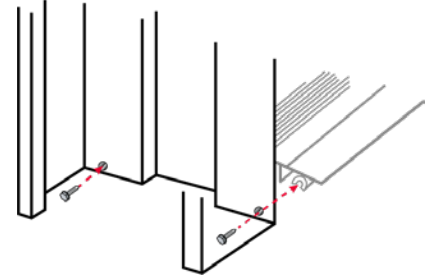
STANDARD A.D.A COMPLIANT THRESHOLD

All thresholds shall be fastened to the base of each jamb on the interior door side rabbet and the exterior door side rabbet directly into threshold “flutes” located on the underside of the threshold. These flutes run the entire length of each threshold. Thresholds shall be 5-3/4" wide and U-notched.

 **ADA COMPLIANT.** Barrier-free thresholds meet the requirements of the ADA Standard for Accessible Design and ICC/ANSI A117.1 Accessible and Usable Buildings and Facilities.

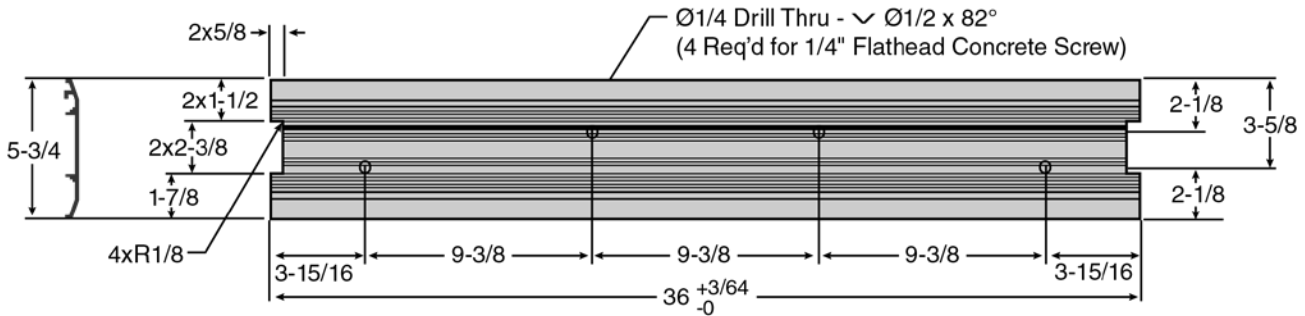


Fasteners for attachment of threshold to frame:
#8 x 3/4" Zinc Self-Drilling



Top & End View - 36" Threshold:

Number of Anchor Holes for 3' Threshold shall be (4)



For anchorage to the concrete floor, thresholds shall be produced with pre-punched, countersunk holes to accept 1/4" diameter concrete sleeve anchors (provided by EXPI-DOOR). Three-foot single door system thresholds shall consist of four (4) countersunk bores, and shall be “staggered” across the length of the Threshold.

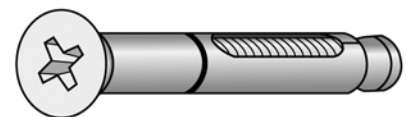
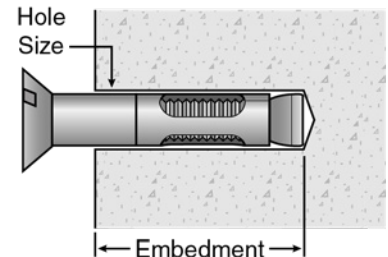
Fastening the threshold to the frame in the factory is a bonus advantage for several reasons.

1. EXPI-DOOR's threshold is pre-notched at each end to fit around the door jamb's soffit portion of the frame.
2. EXPI-DOOR's threshold is pre-attached to each jamb, thus ensuring proper alignment of door w/in frame.
3. EXPI-DOOR's threshold, because it is attached at the factory, assures strong reinforcement at the base of the frame, as opposed to older methods of securing the frame at the base temporarily.

Our pre-attachment process is far superior to the common process in place for some of our competitors, as well as being the standard for many years for “knock-down” door systems.

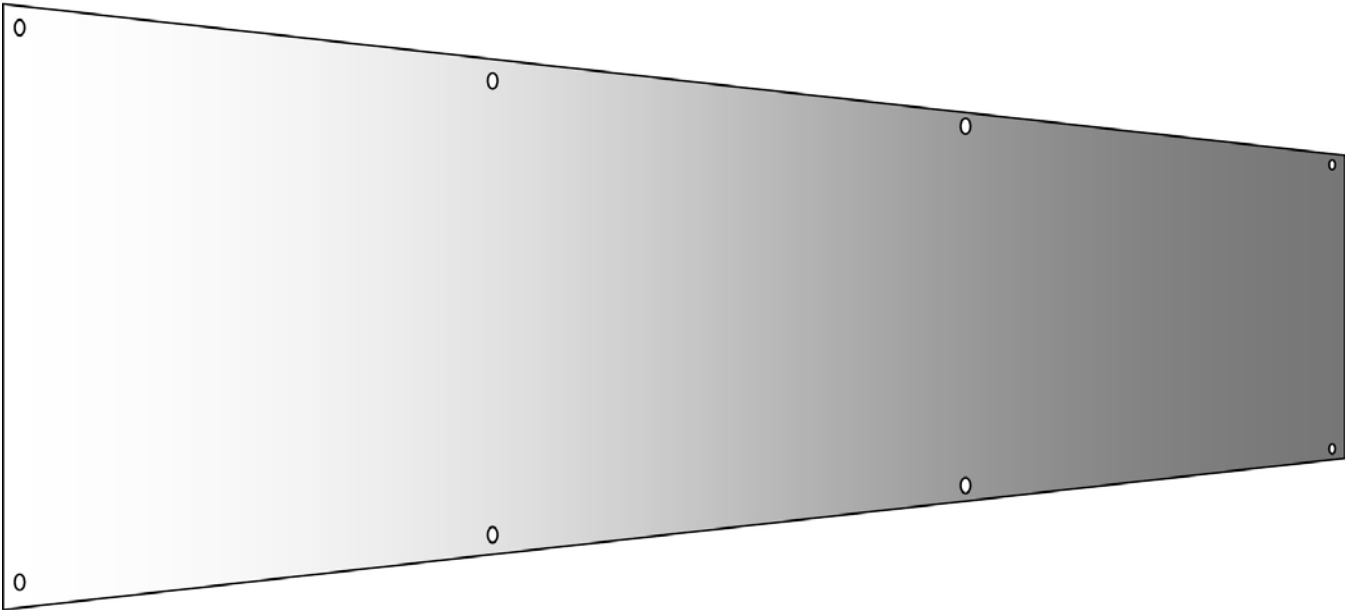
Floor Anchors

1/4" Hole Size x 1-1/2" Embedment
Actual Anchor: 1/4" x 2"



KICK PLATE DETAILS

8" High x 2" Less Door Width (LDW) x 0.050" Thick
Stainless Steel w/TEK Fasteners for Attachment

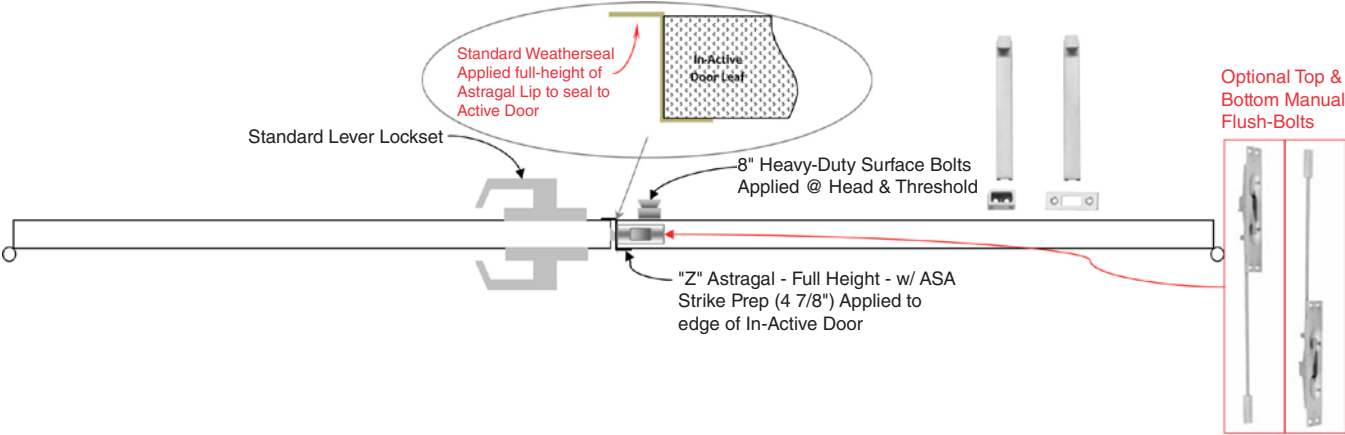


- ANSI A156.6
- Stainless steel material and US32D finish
- 0.050" thick, 18 gauge

DOUBLE DOOR DETAILS

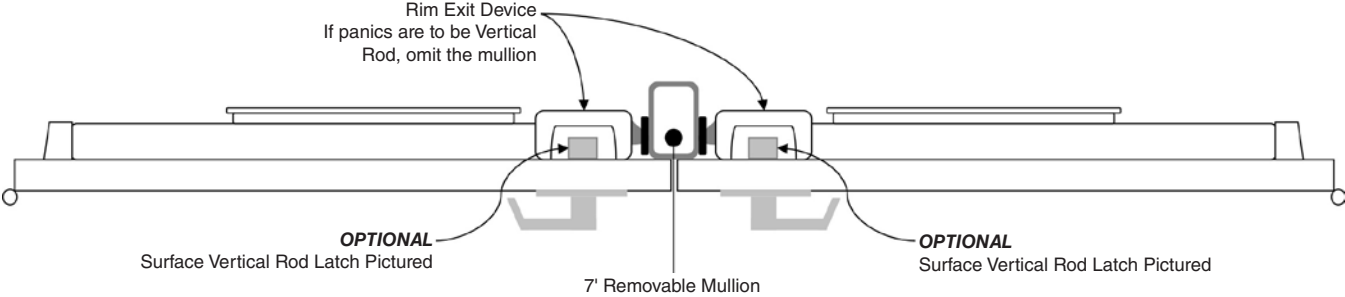
Single Active Door System

- W/ surface bolts - EXPI Designation: 6070-1
- W/ flush bolts - EXPI Designation: 6070-1FB



Double Active Door System

EXPI Designation: 6070-2



Seal Type @ Pairs w/ Rim Panics & Mullion

